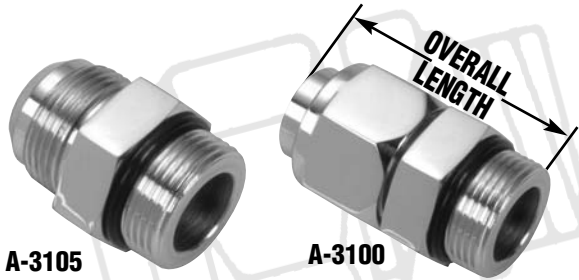


# 37° FLARE TUBE FITTINGS

S . A . E . S T R A I G H T T H R E A D

## A-3105 / A-3100 • MALE CONNECTOR FLARE TUBE END- S.A.E. STRAIGHT THREAD END



A-3105

A-3100

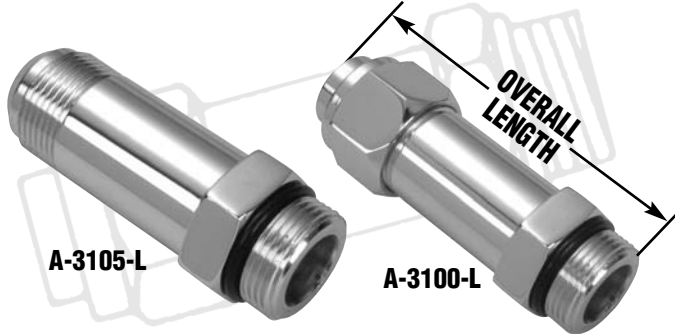
### How To Order 3 Piece Flare Straight Thread Assemblies

#### For Complete 3-Piece Assemblies

Use part number shown. For body only, change the last number preceding the dash from 0 to 5. Example: A-3100-12 Male Connector becomes A-3105-12 for Male Connector Body only.

*Note: To Order Stainless Steel Fittings Add SS To Part Number. Example: A-3350-12-SS.*

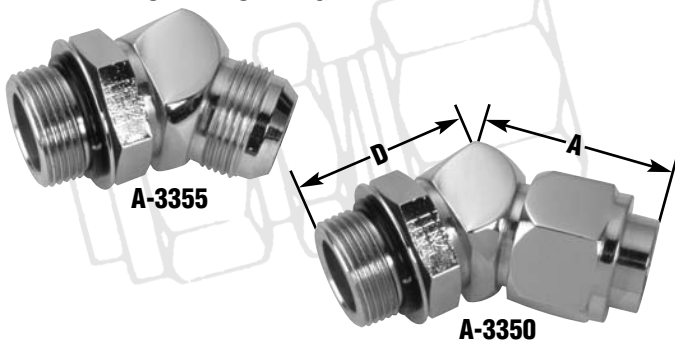
## A-3105-L / A-3100-L • LONG MALE CONNECTOR FLARE TUBE END S.A.E. STRAIGHT THREAD END



A-3105-L

A-3100-L

## A-3355 / A-3350 • MALE 45° ELBOW FLARE TUBE END S.A.E. STRAIGHT THREAD END



A-3355

A-3350

### A-3105 / A-3100 • Male Connector

Body Only Part No.	Complete Assembly Part No.	Tube O.D.	Straight Thread	Overall Length
A3105-4-4	A3100-4-4	1/4"	7/16"-20	15/8"
A3105-4-5	A3100-4-5	1/4"	1/2"-20	15/8"
A3105-4-6	A3100-4-6	1/4"	9/16"-18	12 <sup>1</sup> / <sub>32</sub> "
A3105-5-5	A3100-5-5	5/16"	1/2"-20	12 <sup>1</sup> / <sub>32</sub> "
A3105-6-6	A3100-6-6	3/8"	9/16"-18	12 <sup>5</sup> / <sub>32</sub> "
A3105-6-8	A3100-6-8	3/8"	3/4"-16	12 <sup>7</sup> / <sub>32</sub> "
A3105-6-10	A3100-6-10	3/8"	7/8"-14	13 <sup>1</sup> / <sub>32</sub> "
A3105-8-8	A3100-8-8	1/2"	3/4"-16	21 <sup>1</sup> / <sub>32</sub> "
A3105-8-6	A3100-8-6	1/2"	9/16"-18	11 <sup>5</sup> / <sub>16</sub> "
A3105-8-10	A3100-8-10	1/2"	7/8"-14	2 <sup>1</sup> / <sub>8</sub> "
A3105-8-12	A3100-8-12	1/2"	11/16"-12	2 <sup>7</sup> / <sub>32</sub> "
A3105-8-14	A3100-8-14	1/2"	13/16"-12	2 <sup>7</sup> / <sub>32</sub> "
A3105-10-10	A3100-10-10	5/8"	7/8"-14	21 <sup>1</sup> / <sub>32</sub> "
A3105-10-8	A3100-10-8	5/8"	3/4"-16	2 <sup>7</sup> / <sub>32</sub> "
A3100-10-12	A3100-10-12	5/8"	11/16"-12	2 <sup>7</sup> / <sub>16</sub> "
A3105-12-12	A3100-12-12	3/4"	11/16"-12	21 <sup>9</sup> / <sub>32</sub> "
A3105-12-8	A3100-12-8	3/4"	3/4"-16	21 <sup>5</sup> / <sub>32</sub> "
A3105-12-10	A3100-12-10	3/4"	7/8"-14	21 <sup>5</sup> / <sub>32</sub> "
A3105-12-14	A3100-12-14	3/4"	13/16"-12	2 <sup>5</sup> / <sub>8</sub> "
A3105-12-16	A3100-12-16	3/4"	15/16"-12	2 <sup>5</sup> / <sub>8</sub> "
A3105-14-14	A3100-14-14	7/8"	13/16"-12	22 <sup>3</sup> / <sub>32</sub> "
A3105-14-16	A3100-14-16	7/8"	15/16"-12	22 <sup>3</sup> / <sub>32</sub> "
A3105-16-16	A3100-16-16	1"	15/16"-12	22 <sup>5</sup> / <sub>32</sub> "
A3105-16-12	A3100-16-12	1"	11/16"-12	2 <sup>3</sup> / <sub>4</sub> "
A3105-16-20	A3100-16-20	1"	15/8"-12	21 <sup>3</sup> / <sub>16</sub> "
A3105-20-20	A3100-20-20	1 1/4"	15/8"-12	31 <sup>3</sup> / <sub>32</sub> "
A3105-20-16	A3100-20-16	1 1/4"	15/16"-12	23 <sup>1</sup> / <sub>32</sub> "
A3105-20-24	A3100-20-24	1 1/4"	17/8"-12	31 <sup>1</sup> / <sub>16</sub> "
A3105-24-24	A3100-24-24	1 1/2"	17/8"-12	3 <sup>7</sup> / <sub>16</sub> "
A3105-24-20	A3100-24-20	1 1/2"	15/8"-12	3 <sup>3</sup> / <sub>8</sub> "
A3105-32-32	A3100-32-32	2"	2 1/2"-12	32 <sup>9</sup> / <sub>32</sub> "

### A-3105-L / A-3100-L • Long Male Connector

Body Only Part No.	Complete Assem. Part No.	Tube O.D.	Straight Thread	Overall Length
A3105L-4	A3100L-4	1/4"	7/16"-20	25/16"
A3105L-5	A3100L-5	5/16"	1/2"-20	21 <sup>3</sup> / <sub>32</sub> "
A3105L-6	A3100L-6	3/8"	9/16"-18	22 <sup>1</sup> / <sub>32</sub> "
A3105L-8	A3100L-8	1/2"	3/4"-16	33 <sup>3</sup> / <sub>32</sub> "
A3105L-10	A3100L-10	5/8"	7/8"-14	32 <sup>3</sup> / <sub>32</sub> "
A3105L-12	A3100L-12	3/4"	1 1/8"-12	41 <sup>8</sup> / <sub>32</sub> "
A3105L-14	A3100L-14	7/8"	13/16"-12	43 <sup>8</sup> / <sub>32</sub> "
A3105L-16	A3100L-16	1"	15/16"-12	41 <sup>9</sup> / <sub>32</sub> "
A3105L-20	A3100L-20	1 1/4"	15/8"-12	51 <sup>1</sup> / <sub>32</sub> "
A3105L-24	A3100L-24	1 1/2"	17/8"-12	53 <sup>1</sup> / <sub>32</sub> "
A3105L-32	A3100L-32	2"	2 1/2"-12	61 <sup>5</sup> / <sub>16</sub> "

### A-3355 / A-3350 • Male 45° Elbow

Body Only Part No.	Complete Assem. Part No.	Tube O.D.	Straight Thread	"A" (Tube Leg)	"D" Straight Thread Leg
A3355-4	A3350-4	1/4"	7/16"-20	13 <sup>3</sup> / <sub>32</sub> "	11 <sup>3</sup> / <sub>32</sub> "
A3355-5	A3350-5	5/16"	1/2"-20	15 <sup>3</sup> / <sub>32</sub> "	11 <sup>3</sup> / <sub>32</sub> "
A3355-6	A3350-6	3/8"	9/16"-18	19 <sup>3</sup> / <sub>32</sub> "	11 <sup>8</sup> / <sub>32</sub> "
A3355-8	A3350-8	1/2"	3/4"-16	1 1/2"	19 <sup>3</sup> / <sub>32</sub> "
A3355-10	A3350-10	5/8"	7/8"-14	12 <sup>3</sup> / <sub>32</sub> "	11 <sup>1</sup> / <sub>2</sub> "
A3355-12	A3350-12	3/4"	11/16"-12	17 <sup>8</sup> / <sub>32</sub> "	12 <sup>3</sup> / <sub>32</sub> "
A3355-14	A3350-14	7/8"	13/16"-12	23 <sup>3</sup> / <sub>32</sub> "	12 <sup>3</sup> / <sub>32</sub> "
A3355-16	A3350-16	1"	15/16"-12	27 <sup>3</sup> / <sub>32</sub> "	12 <sup>7</sup> / <sub>32</sub> "
A3355-20	A3350-20	1 1/4"	15/8"-12	27 <sup>1</sup> / <sub>16</sub> "	12 <sup>9</sup> / <sub>32</sub> "
A3355-24	A3350-24	1 1/2"	17/8"-12	27 <sup>8</sup> / <sub>32</sub> "	12 <sup>9</sup> / <sub>32</sub> "
A3355-32	A3350-32	2"	2 1/2"-12	31 <sup>1</sup> / <sub>32</sub> "	12 <sup>7</sup> / <sub>32</sub> "

For body only, change the last number preceding the dash of part number from 0 to 5. Example: A-3350-12 becomes A-3355-12.

LENZ • P.O. BOX 1044 • DAYTON, OHIO 45401-1044 • PHONE: 937/277-9364 • FAX: 937/277-6516  
OFFICE & FACTORY • 3301 KLEPINGER ROAD • DAYTON, OHIO 45406-1842  
INTERNET: <http://www.lenzinc.com>